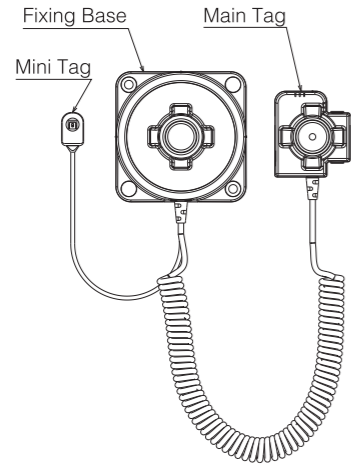
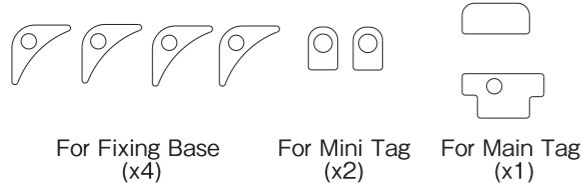


Contents

□ Main Equipment 【1 set】

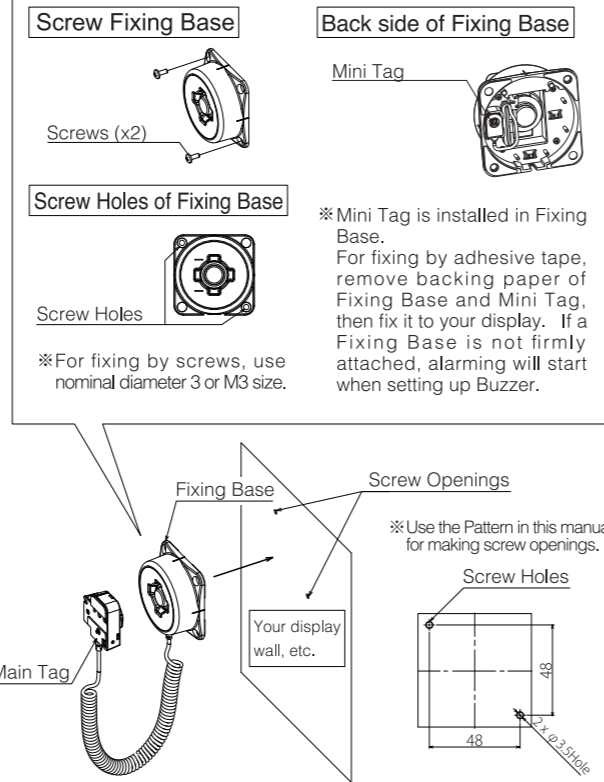


□ Fixing Tapes 【7 pcs.】



□ Operation Manual 【1 set】

Installation to your display wall, stand, etc.

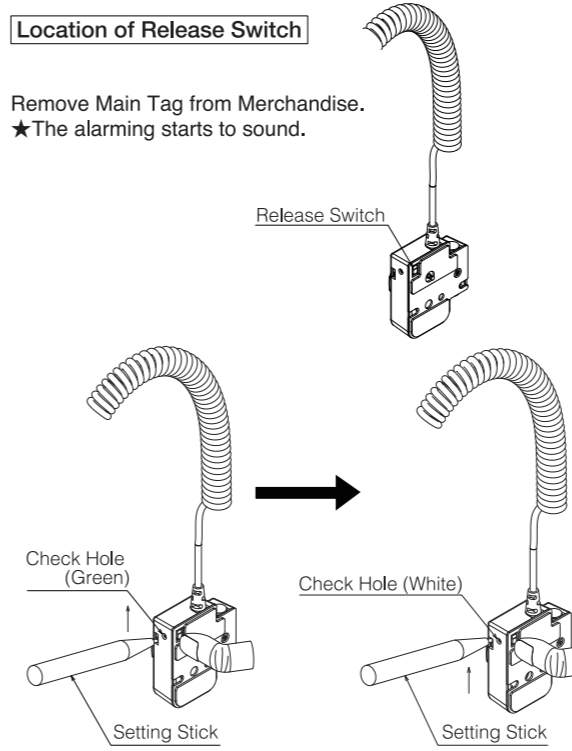


- Copy the Pattern in this manual for making the holes on your display wall, etc.
- The fixing Screws are not included.

Releasing Alarming Buzzer

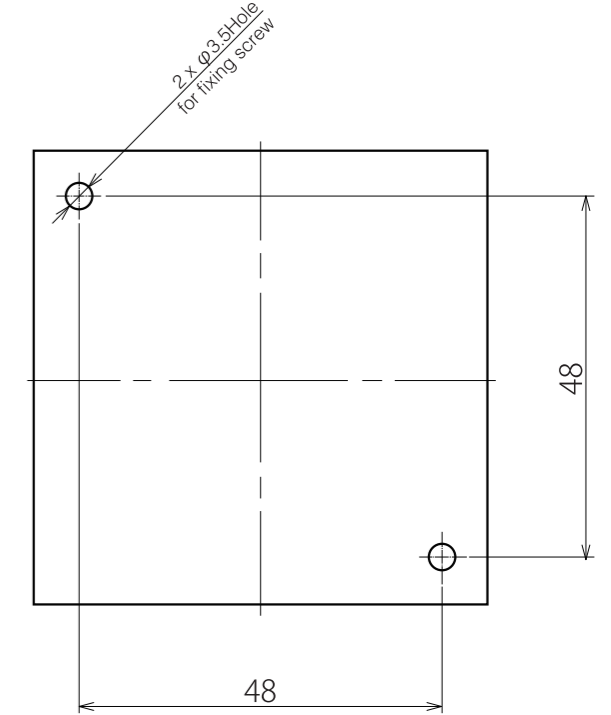
Location of Release Switch

Remove Main Tag from Merchandise.
★ The alarming starts to sound.



Turn the Switch from ON to OFF while pressing the Release Switch on the back side of Main Tag. If the color of Check Hole changes from Green to White, the release procedure is completed.

Screw hole position

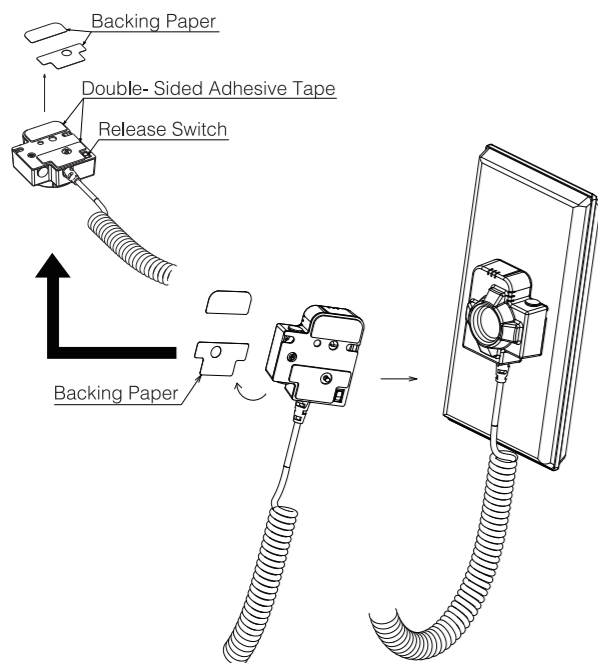


※ For fixing by screws, use nominal diameter 3 or M3 size.

How to Install [Connection to Merchandise]

■ Installing Main Tag to Merchandise

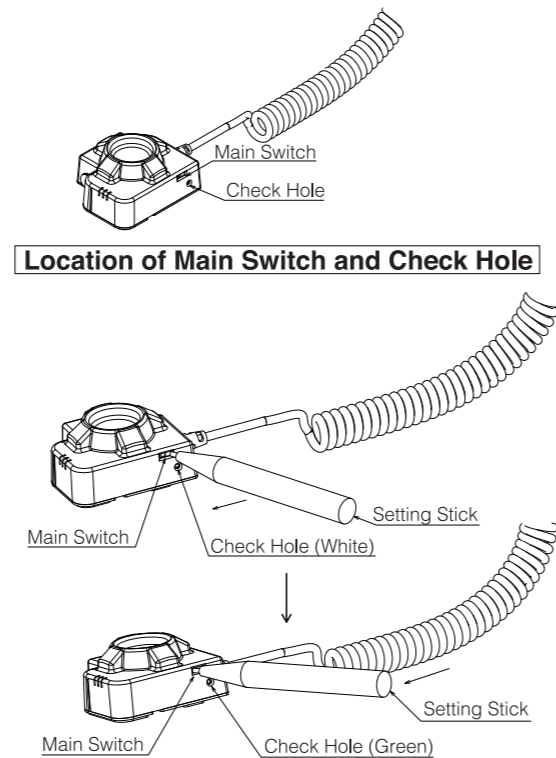
Fix the Main Tag to Merchandise after removing backing paper.



- Clean the surface of Merchandise free from dirt, oil and finger prints by soft clothes before fixing.

Main Tag

Setting up Alarming Buzzer



Set the Main Switch from OFF to ON with Setting stick (sold separately). If the color of Check Hole changes from White to Green, the setting of Alarming Buzzer is completed.

Change of Battery

■ Take the following procedures ① through ⑥. (Battery type: Lithium Battery CR-2032)

